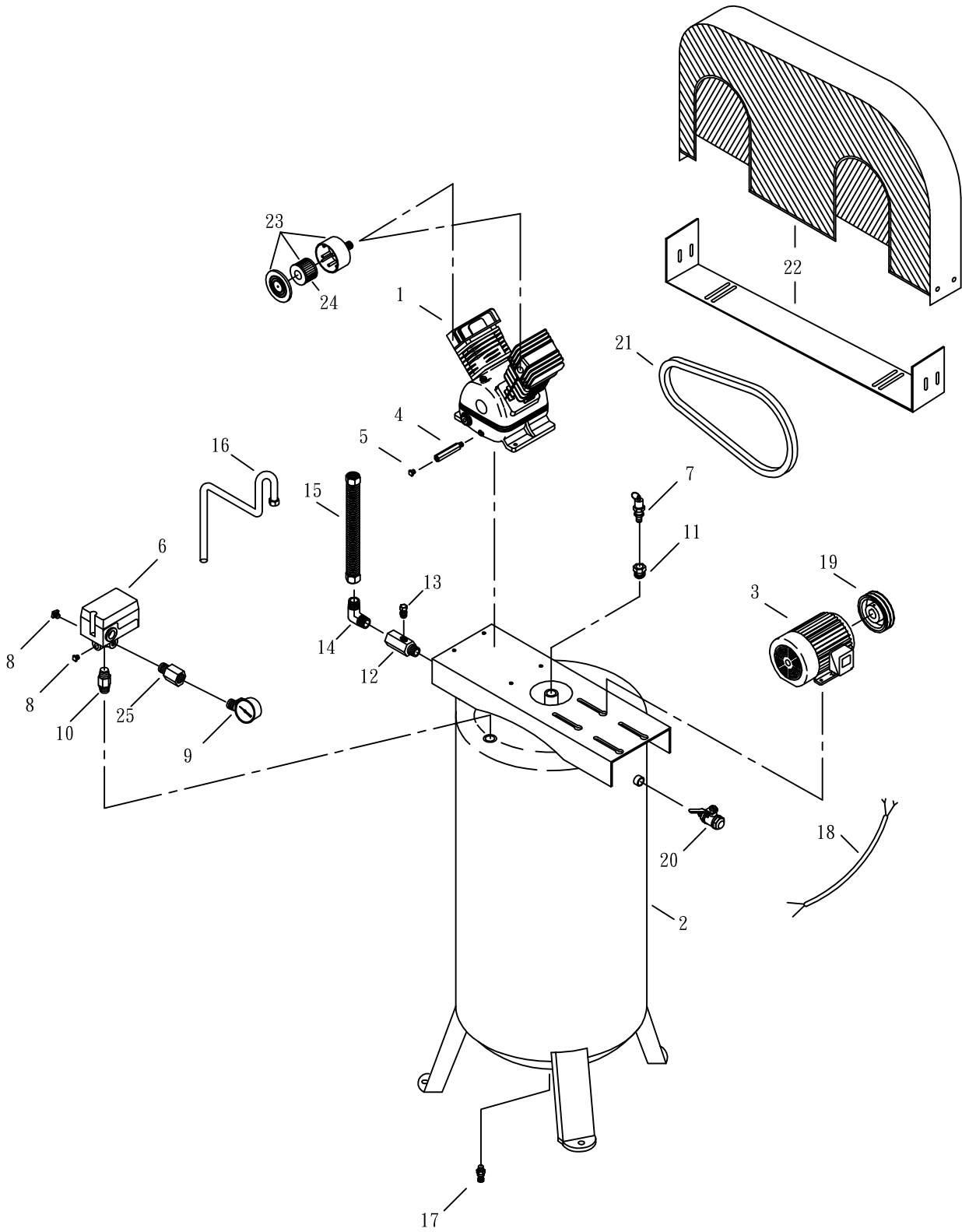


PK-6060V



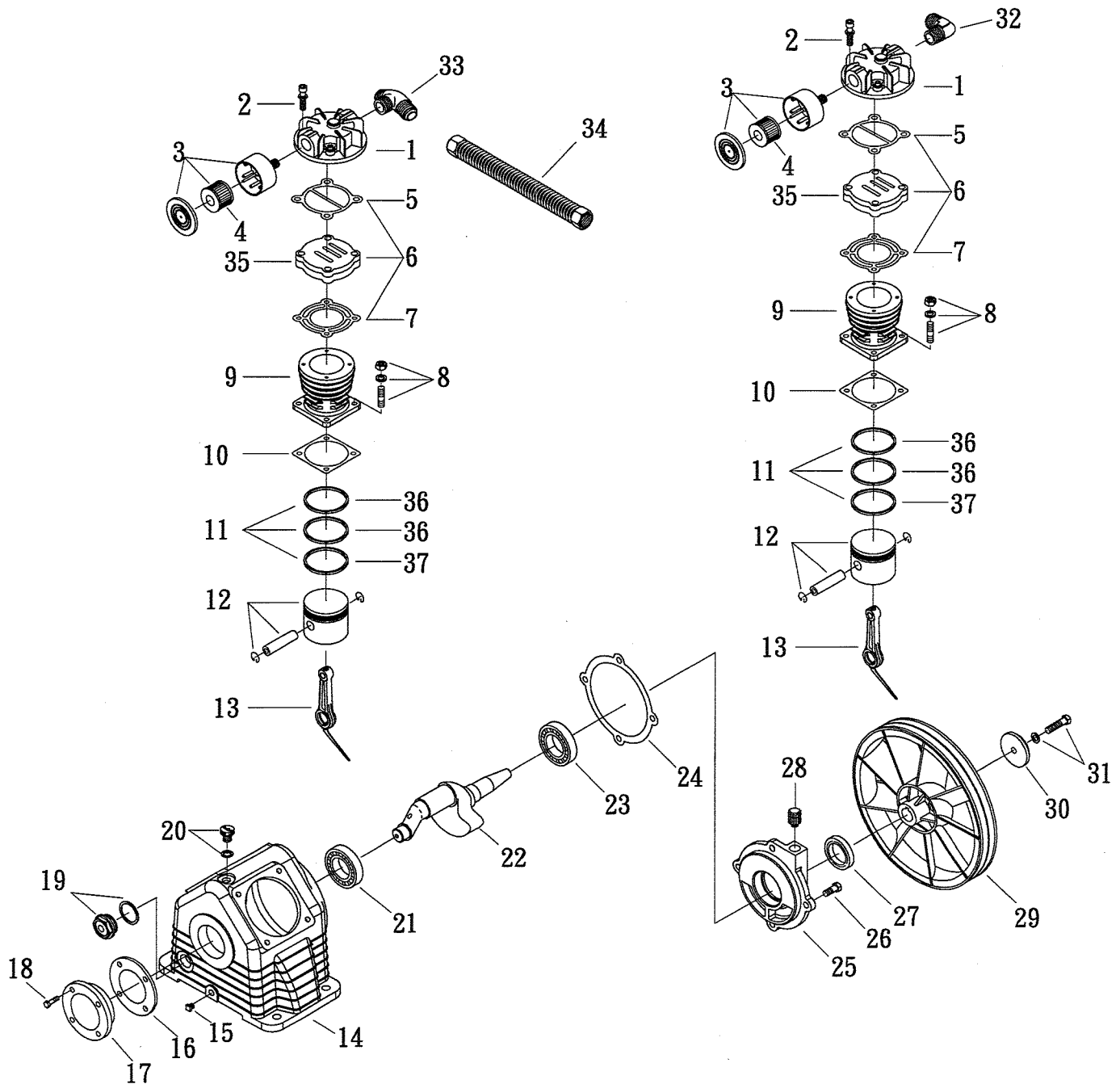
PARTS LIST

Model: PK-6060V

VER.: VE-001B

REF. NO.	Component ID	Component Description	Quantity
1	CK30	PUMP	1.00
2	4001-60V	TANK	1.00
3	4027-6S	MOTOR	1.00
4	2305010	OIL DRAINING PIPE	1.00
5	2N33-002	PLUG	1.00
6	2E21-AF276DM	PRESSURE SWITCH	1.00
7	84006009	PRESSURE RELIEF VALVE (150 PSI)	1.00
8	2B14-ST02E	PLUG	2.00
9	2D12-20V20K	PRESSURE GAUGE	1.00
10	2N01-02N02N30	NIPPLE	1.00
11	050-04MN02FN	BUSHING	1.00
12	CV1212M	CHECK VALVE	1.00
13	035-02RN01MN-00	NIPPLE (STRAIGHT TUBE FITTING)	1.00
14	2N06-04T04H	ELBOW	1.00
15	3B2-04*610	DISCHARGE TUBE	1.00
16	063-NL01X810	TUBE (Check Valve to Pressure Switch, 32")	1.00
17	2413014N	DRAIN VALVE	1.00
18	2E02-3530702Y2F	ELECTRIC CABLE	1.00
19	1A35X05	PULLEY	1.00
20	2413007	SERVICE VALVE	1.00
21	2N31-A51	BELT A51	1.00
22	3426092	BELT GUARD	1.00
22	3427201	BELT GUARD BOTTOM COVER	1.00
23	2140020A	AIR FILTER	2.00
24	1807 (2142013)	FILTER ELEMENT	2.00
25	2N02-02T02NC	ADAPTOR	1.00

MODEL : CK30



SPARE PARTS LIST

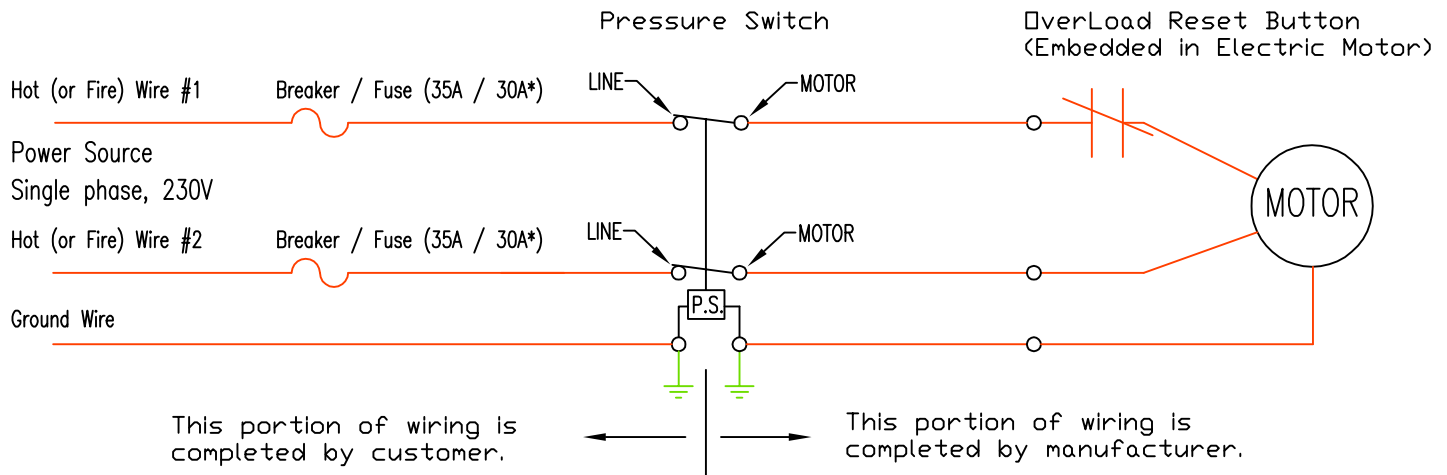
NO:MP-1205

REF. NO.	DESCRIPTION	PART NO.	QTY.	REF. NO.	DESCRIPTION	PART NO.	QTY.
1	Cylinder head	3101084A	2	20	Oil filling plug	2319003A	1
2	Allen bolt set	3B01-M06*040V	8	21	Bearing	2N35-6204	1
3	Air filter set	2140020A	2	22	Crankshaft & balancer	3304098	1
4	Filter element	2142013	2	23	Bearing	2N35-6205Z	1
5	Cylinder head gasket	2G01-015C	2	24	Rear bearing seat gasket	2G06-008	1
6	In. & Ex. valve assembly	3B13-K5065C	2	25	Rear bearing seat	3311034	1
7	Valve seat gasket	2G03-010H	2	26	Hexagon bolt	2B00-SM08*020	4
8	Double head screw set	3B11-001-A	8	27	Oil seal	2N50-TC24*47*07	1
9	Cylinder	3201083	2	28	Breathing cover	2321008	1
10	Cylinder gasket	2G04-003	2	29	Pulley	3PBF-125A124	1
11	Piston ring set	3B32-65N	2	30	Plate washer	2B30-08*35*35	1
12	Piston set	3B31-65N	2	31	Hexagon bolt	3B00-SM08*035AV	1
13	Rod set	3B33-CK3033	2	32	Exhaust elbow	2N06-04T04H	1
14	Crankcase	3301117	1	33	Exhaust three way pipe	2N09-04H04T04H1	1
15	Oil draining plug	2N33-002	1	34	Exhaust tube set	3B2-04*240	1
16	Front cover gasket	2G05-018	1	35	In. & Ex. valve seat	3B13-K50	2
17	Front cover	3309043A	1	36	Compression ring	2203008	2
18	Hexagon bolt	2B00-SM06*020	4	37	Oil control ring	2204024	1
19	Oil sight gauge	2303022B	1				

Warning: This diagram is for your reference only. Please check with a qualified electrician for wiring to meet your local electrical wiring code.

Manufacturer assumes no responsibility for changes to factory wiring.

Electrical Circuit Diagram:



* The breaker size (trip rating) for Circuit Breaker is suggested at 35A. For Fusible Switch (Melting Style), the 30A dual element time delay fuses are suggested. For correct rating of Breaker and Switch, please consult with a qualified electrician.

** Minimum COPPER wire size : AWG12 (AWG10 is recommended.) The maximum wire length allowed: 10ft. when measured from breaker/switch (power source) to pressure switch (on unit).

*** Voltage: Single Phase 208~230V only. The voltage must be maintained at this range (208V~230V) through out entire compressor operation (from start to stop). Voltage drops below 208V or rises beyond 230V will result in pressure switch and motor failures.